

# Product Information

## FISENFIDSMIN - Mini Sensory Fidget Insert

BS EN 1176 - Designed to British & European Standards




### MATERIALS

Panel - Two Colour  High Density Polyethylene (HDPE)

### SUPPLY METHOD

Panel - Fully Assembled

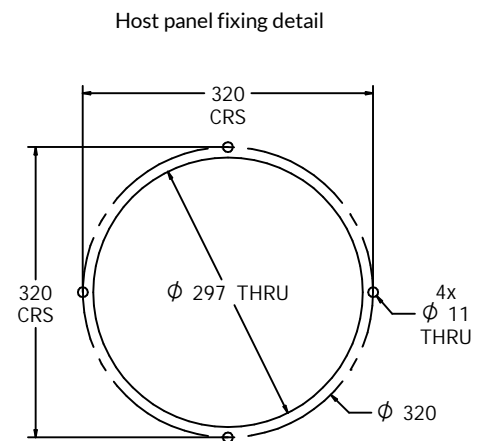
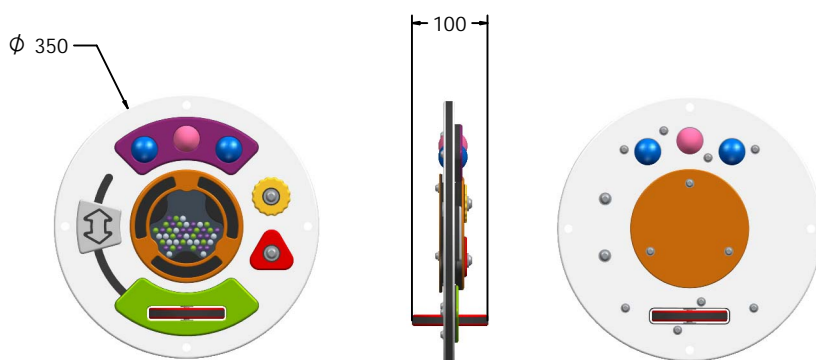
### FEATURES

-  **SLIDERS** - Arrow counter slide along a curve
-  **ROLLERBALL** - Pink and blue roller balls
-  **ROTATE** - Shape spinners & moulded ball spinner



Insert can easily attach to your own panel

### DIMENSIONS



CAD available on request

### TECHNICAL

Age Range: 2+ Years  
 Largest Part:  $\phi$ 350 x 100mm  
 Total Weight: 2Kg  
 Surfacing: N/A

IMPORTANT: you must specify the colour option you require at the time of order if it is different from the colour listed/shown above, requirements are subject to availability at the time of order