

# Product Information

## FIPASLIN - Pattern Sliders Insert

BS EN 1176 - Designed to British & European Standards

### MATERIALS


Panel - Two Colour  High Density Polyethylene (HDPE)

### SUPPLY METHOD

Panel - Singular panel

### FEATURES

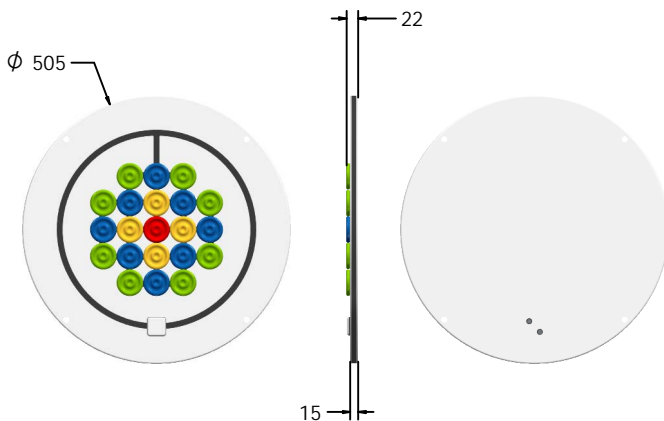
 **SLIDERS** - Sliding counters

 **VISUAL** - Create coloured counter patterns

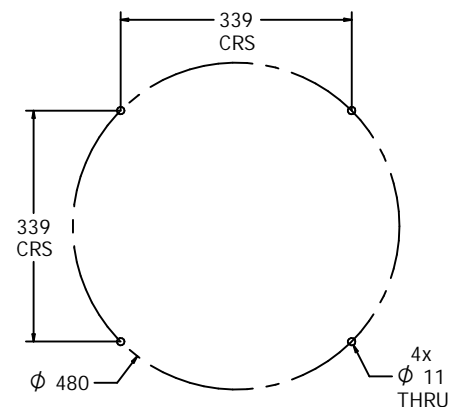


Insert can easily attach to your own panel

### DIMENSIONS



### Host panel fixing detail



CAD available on request

### TECHNICAL

Age Range: 2+ Years  
 Largest Part: FIPASLIN -  $\phi 505 \times 22\text{mm}$   
 Total Weight: FIPASLIN - 2.8kg  
 Surfacing: N/A

IMPORTANT: you must specify the colour option you require at the time of order if it is different from the colour listed/shown above, requirements are subject to availability at the time of order