

Product Information

FISPSPIN - Spiral Spin Insert

BS EN 1176 - Designed to British & European Standards

MATERIALS


Panel - Two Colour  High Density Polyethylene (HDPE)

Window - Yellow Polycarbonate

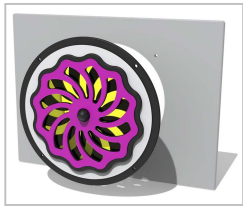
SUPPLY METHOD

Insert - Fully assembled

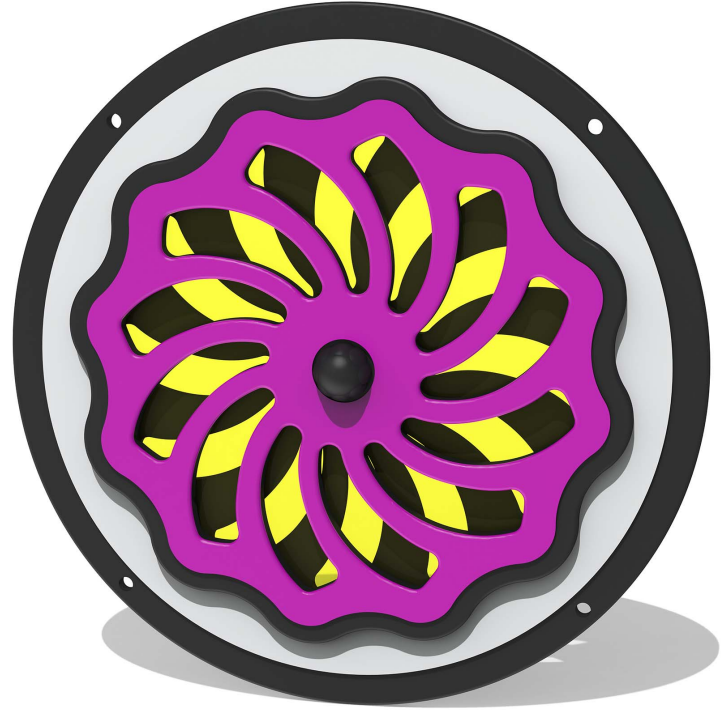
FEATURES

 **ROTATE** - Create contrasting spiral patterns

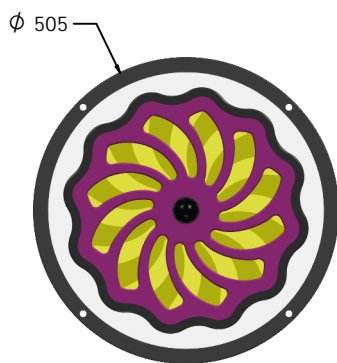
 **WINDOW** - Yellow Polycarbonate



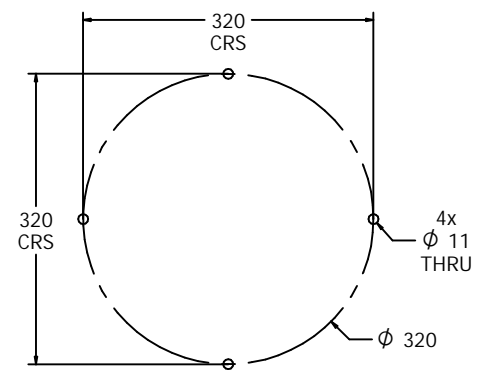
Insert can easily attach to your own panel



DIMENSIONS



Host panel fixing detail



CAD available on request

TECHNICAL

Age Range: 2+ Years
Largest Part: FISPSPIN - ϕ 505 x 56mm
Total Weight: FISPSPIN - 3.4kg
Surfacing: N/A

IMPORTANT: you must specify the colour option you require at the time of order if it is different from the colour listed/shown above, requirements are subject to availability at the time of order