

Product Information

FIROMAZESMIN - Mini Rotor Maze Insert

BS EN 1176 - Designed to British & European Standards

MATERIALS

Panel - Two Colour High Density Polyethylene (HDPE)

Windows - Clear Polycarbonate

Balls - Moulded Plastic with Matte Finish

SUPPLY METHOD

Panel - Fully assembled

FEATURES

 **ROTATE** - 360° turn insert

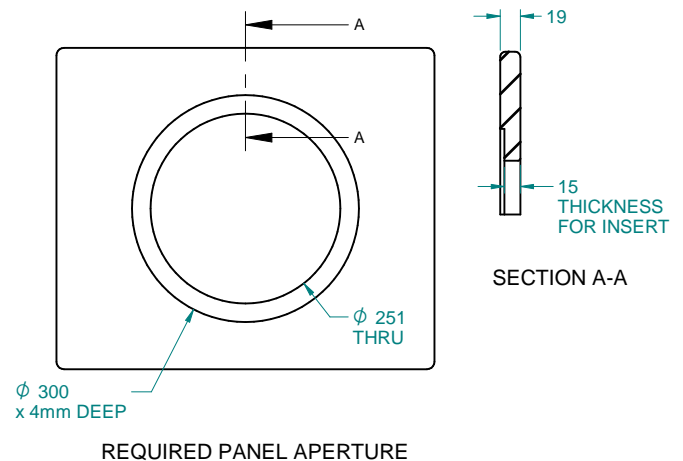
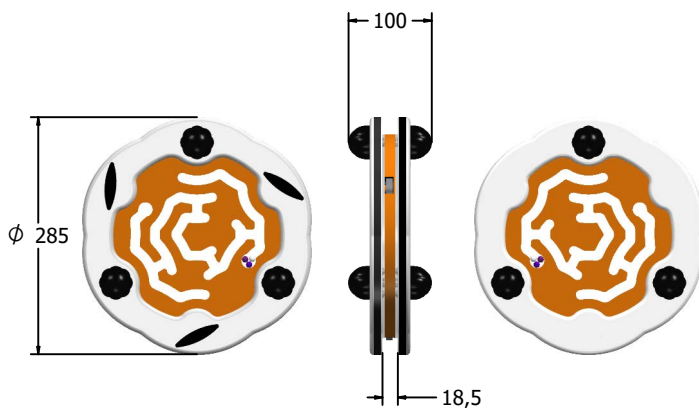
 **VISUAL** - Radial maze pattern



Insert can be easily attached to your own panel



DIMENSIONS



TECHNICAL

Age Range: 2+ Years
Largest Part: $\phi 285 \times 100\text{mm}$
Total Weight: 2kg Approx.
Surfacing: N/A

IMPORTANT: you must specify the colour option you require at the time of order if it is different from the colour listed/shown above, requirements are subject to availability at the time of order