

# Product Information

## FISENSMIN - Mini Sensory Insert

BS EN 1176 - Designed to British & European Standards


### MATERIALS

Panel - Two Colour  High Density Polyethylene (HDPE)


### SUPPLY METHOD

Panel - Fully Assembled

### FEATURES

 **SLIDERS** - Counter positioned along flower stem

 **ROLLERBALL** - Inside a green leaf

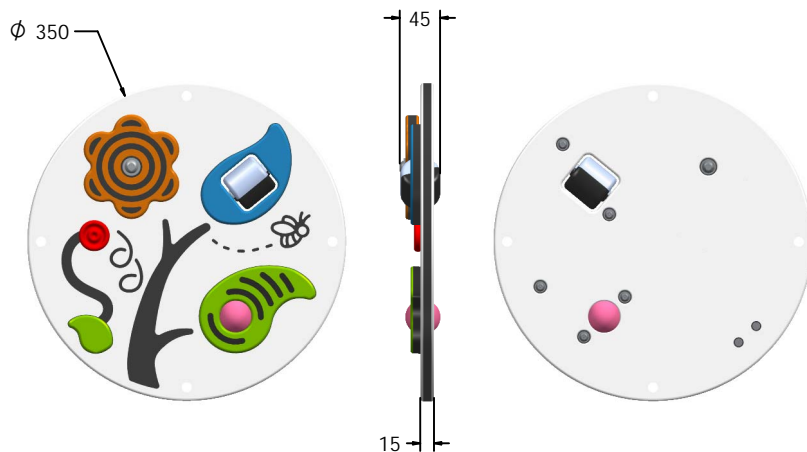
 **ROTATE** - Flower spinner with radial pattern

 **FLIP** - Two colour roller inside a blue leaf

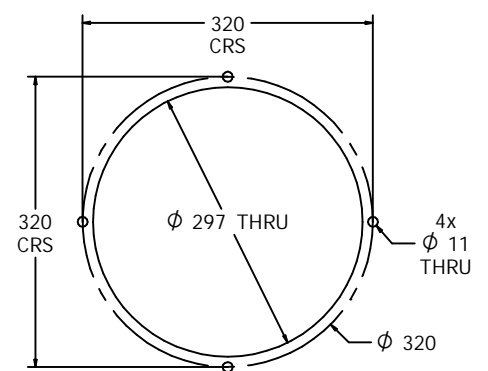


Insert can easily attach to your own panel

### DIMENSIONS



### Host panel fixing detail



CAD available on request

### TECHNICAL

Age Range: 2+ Years  
 Largest Part: FISENSMIN -  $\phi 350 \times 45\text{mm}$   
 Total Weight: FISENSMIN - 1.7Kg  
 Surfacing: N/A

IMPORTANT: you must specify the colour option you require at the time of order if it is different from the colour listed/shown above, requirements are subject to availability at the time of order