

# Product Information

## FIMAGMIN - Magic Mixer Insert

BS EN 1176 - Designed to British & European Standards




### MATERIALS

Panel - Two Colour High Density Polyethylene (HDPE)

### SUPPLY METHOD

Insert - Fully assembled

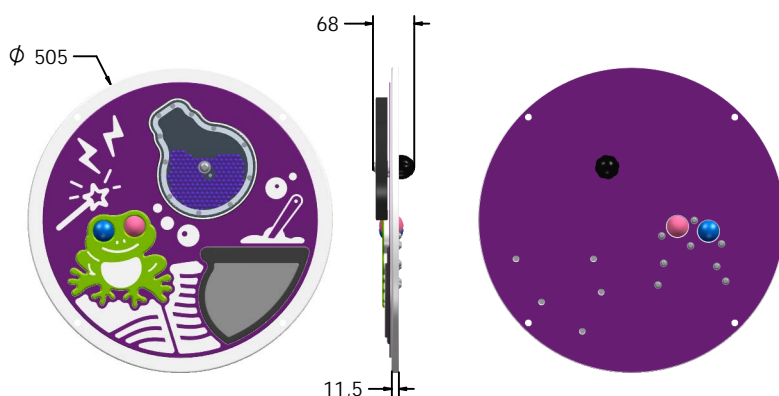
### FEATURES

-  **ROLLERBALL** - Frog eyes
-  **ROTATE** - Potion bottle
-  **SOUND** - Swishing potion balls

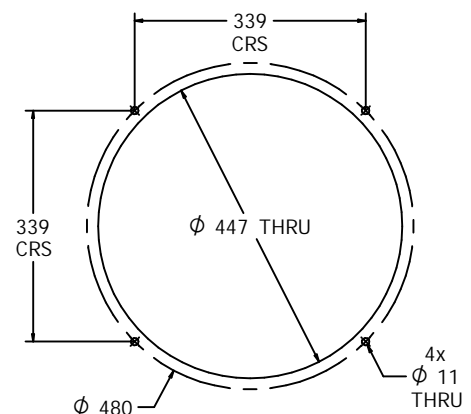


Insert can be easily attached to your own panel

### DIMENSIONS



### Host panel fixing detail



CAD available on request

### TECHNICAL

Age Range: 2+ Years  
 Largest Part: FIMAGMIN -  $\phi 505 \times 68\text{mm}$   
 Total Weight: FIMAGMIN - 3.5kg Approx  
 Surfacing: N/A

IMPORTANT: you must specify the colour option you require at the time of order if it is different from the colour listed/shown above, requirements are subject to availability at the time of order