

# Product Information

## FIROPXIN - Roller Pixels Insert

BS EN 1176 - Designed to British & European Standards

### MATERIALS


Panel - Two Colour High Density Polyethylene (HDPE)

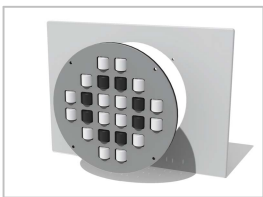
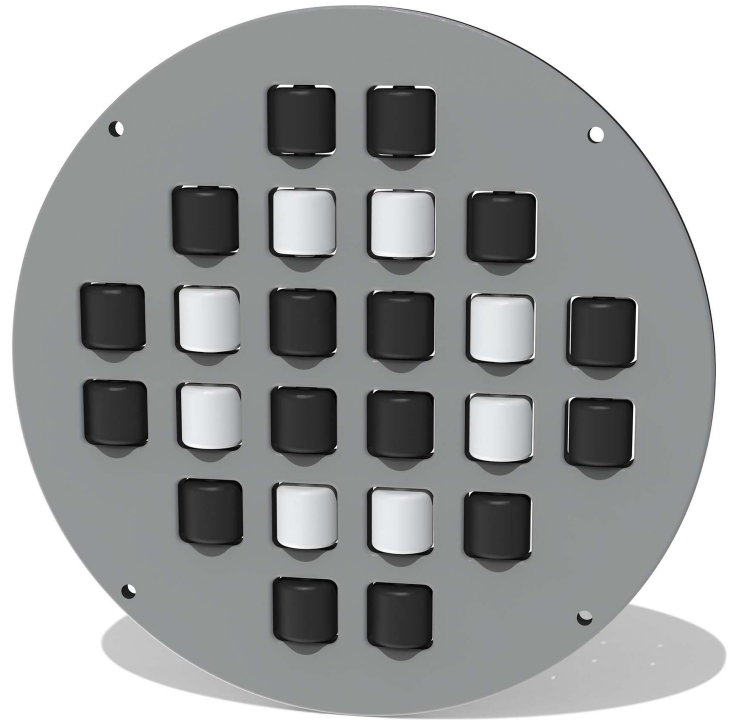
Rollers - Acrylonitrile Butadiene Styrene (ABS)

### SUPPLY METHOD

Panel - Fully Assembled

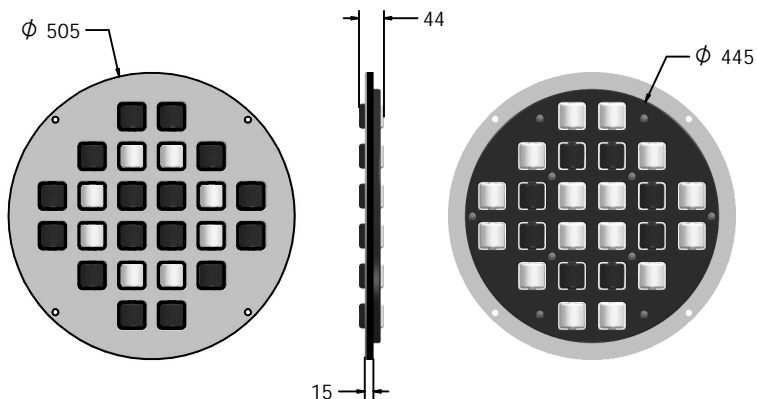
### FEATURES

 **FLIP** - Create a pixel image using the two colour rollers

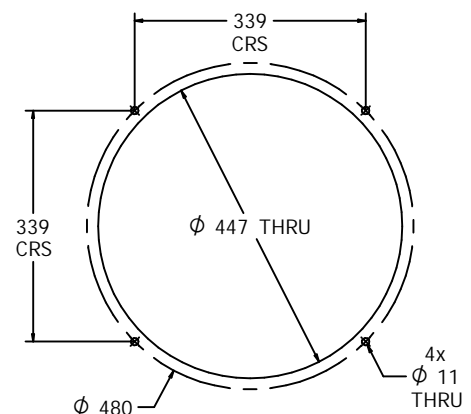


Insert can be easily attached to your own panel

### DIMENSIONS



### Host panel fixing detail



CAD available on request

### TECHNICAL

Age Range: 2+ Years  
 Largest Part: FIROPXIN -  $\phi 505 \times 44$ mm  
 Total Weight: FIROPXIN - 4.1kg Approx  
 Surfacing: N/A

IMPORTANT: you must specify the colour option you require at the time of order if it is different from the colour listed/shown above, requirements are subject to availability at the time of order