

Product Information

FISPMAZEIN - Spin Maze Insert

BS EN 1176 - Designed to British & European Standards

MATERIALS

Panel - Two Colour High Density Polyethylene (HDPE)

Window - Clear Polycarbonate

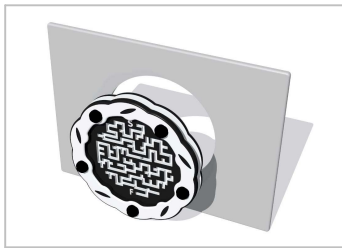
SUPPLY METHOD

Insert - Fully assembled

FEATURES



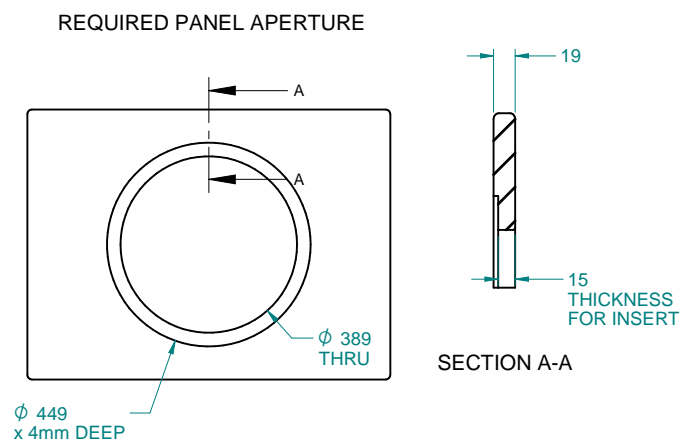
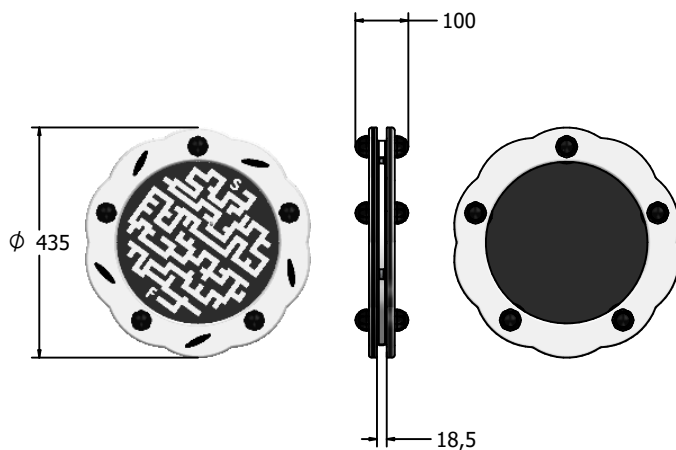
ROTATE - 360° turn insert



Insert can be easily attached to your own panel



DIMENSIONS



TECHNICAL

Age Range: 2+ Years
Largest Part: FISPMAZEIN - $\phi 435 \times 100$ mm
Total Weight: FISPMAZEIN - 4.3kg Approx.
Surfacing: N/A

IMPORTANT: you must specify the colour option you require at the time of order if it is different from the colour listed/shown above, requirements are subject to availability at the time of order