


Product Information

FIROLLIN - Roller Ball Insert

BS EN 1176 - Designed to British & European Standards

MATERIALS

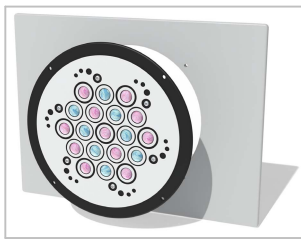
Panel - Two Colour  High Density Polyethylene (HDPE)

SUPPLY METHOD

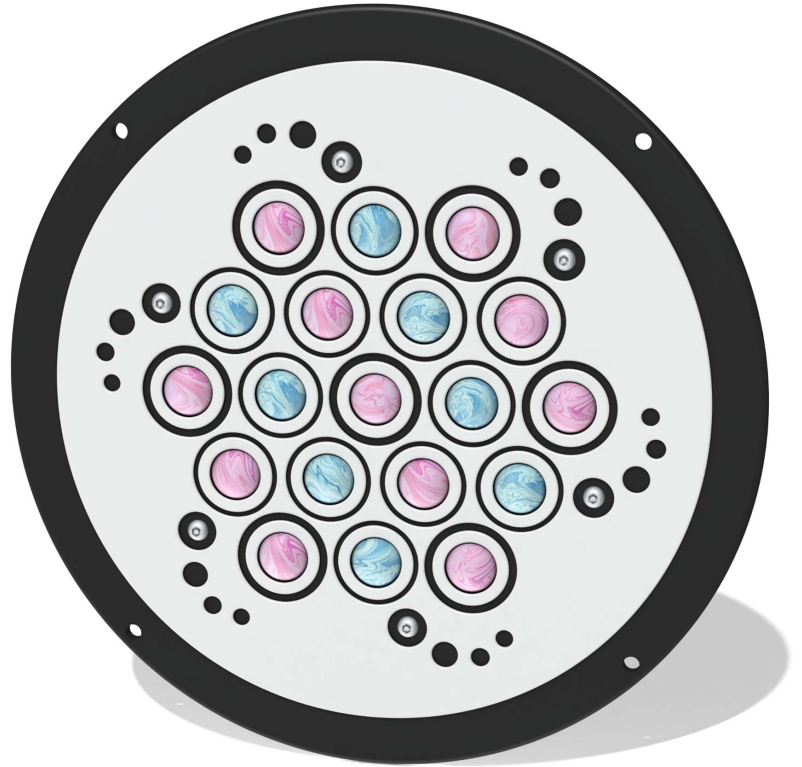
Insert - Fully assembled

FEATURES

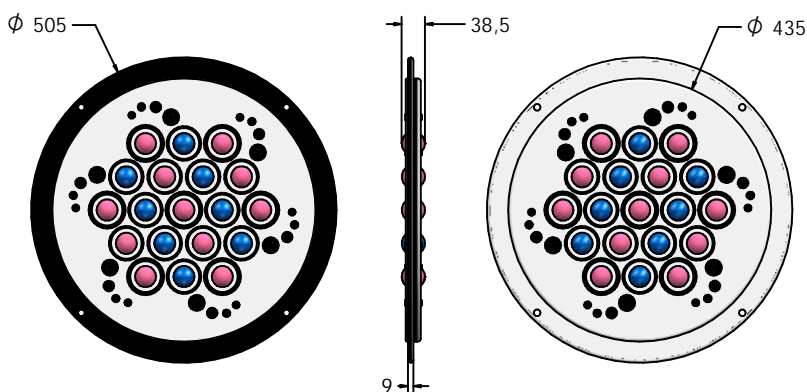
 **ROLLERBALL** - Pink and blue roller balls



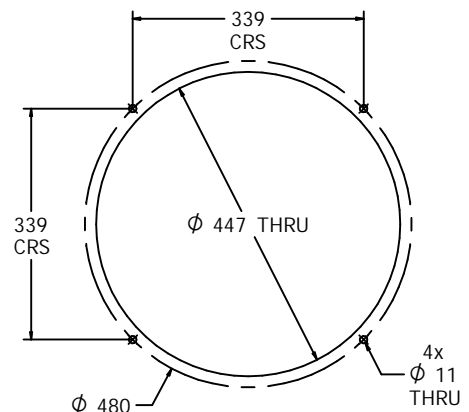
Insert can easily attach to your own panel



DIMENSIONS



Host panel fixing detail



CAD available on request

TECHNICAL

Age Range: 2+ Years
 Largest Part: FIROLLIN - $\phi 505 \times 38.5\text{mm}$
 Total Weight: FIROLLIN - 3.9kg
 Surfacing: N/A

IMPORTANT: you must specify the colour option you require at the time of order if it is different from the colour listed/shown above, requirements are subject to availability at the time of order