

Product Information

FIPTSHWHINRG - RotoGen Ships Wheel Insert

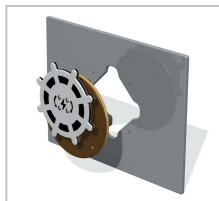
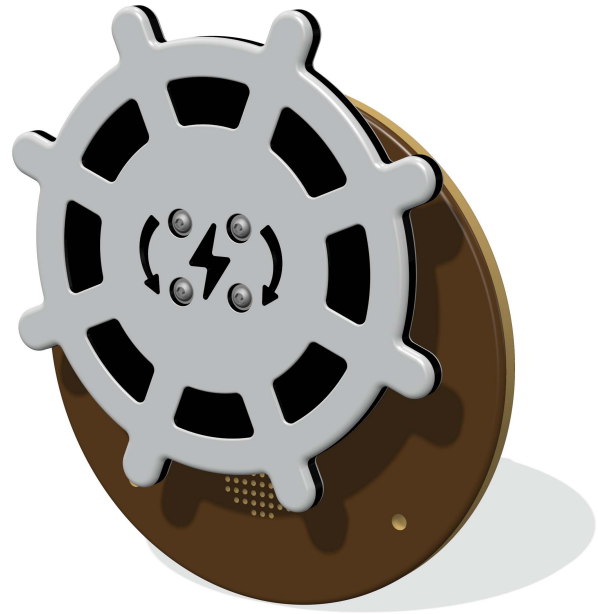
BS EN 1176 - Designed to British & European Standards

MATERIALS

Panel - Two Colour High Density Polyethylene (HDPE)

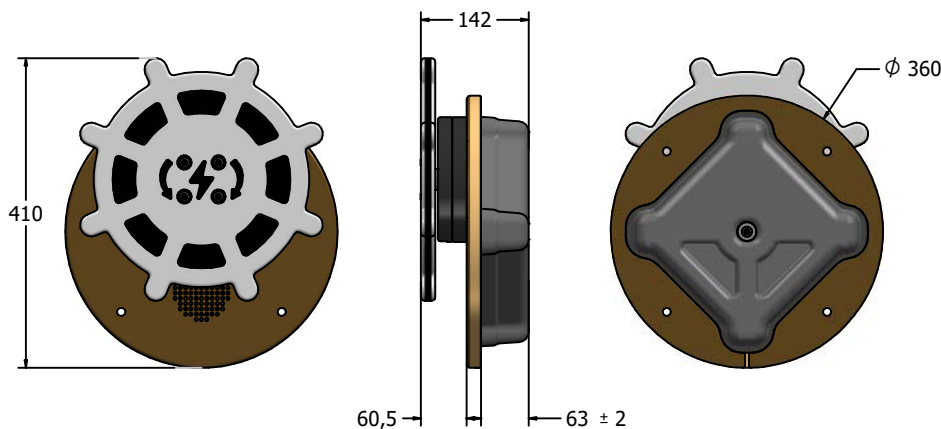
SUPPLY METHOD

Insert - Fully assembled

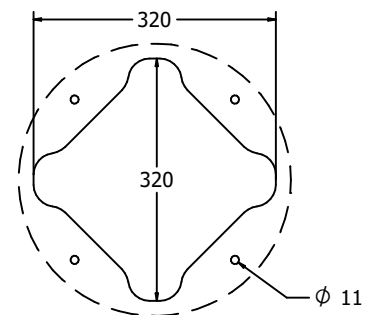


Insert can be easily attached to your own panel

DIMENSIONS



Host Panel Fixing Detail



CAD Template Available

TECHNICAL

Age Range: 2+ Years
 Largest Part: FIPTSHWHIRGIN - 410 x 360 x 142mm
 Total Weight: FIPTSHWHIRGIN - 7kg
 Surfacing: N/A

IMPORTANT: you must specify the colour option you require at the time of order if it is different from the colour listed/shown above, requirements are subject to availability at the time of order