

# Product Information

## FIPTSTPANINRG - RotoGen Steel Pan Musical Insert

BS EN 1176 - Designed to British & European Standards


### MATERIALS


Panel - Two Colour High Density Polyethylene (HDPE)

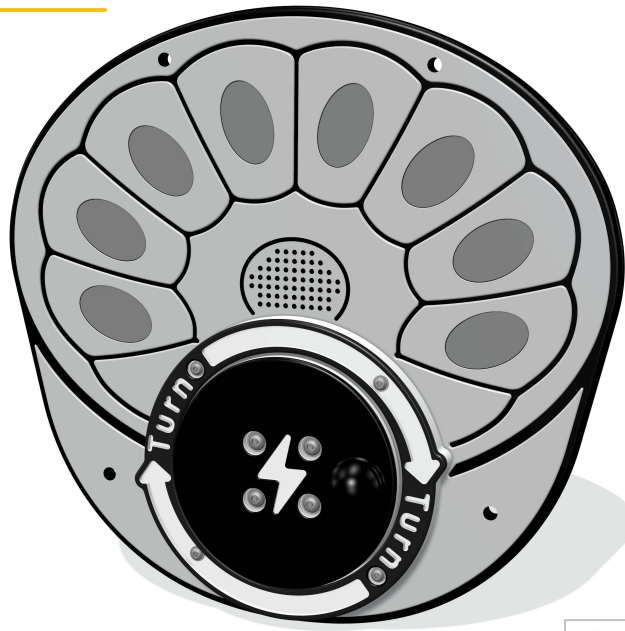
### SUPPLY METHOD

Insert - Fully assembled

### FEATURES

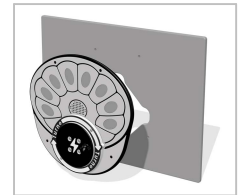
 **MUSICAL** - Listen to Synthesizer Sounds

 **ROTOGEN** - Human powered energy for electronics



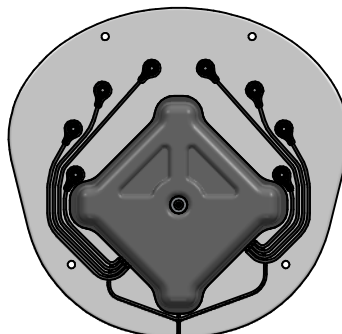
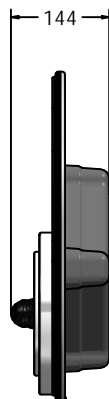
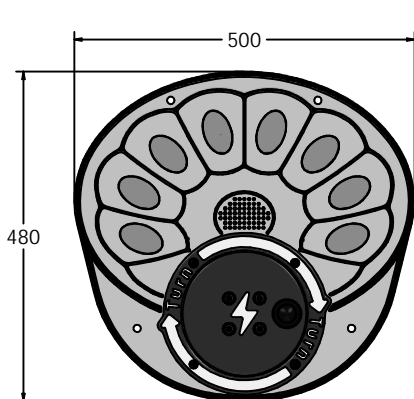
**RotoGen**   
turn, power, play

ELECTRONICS

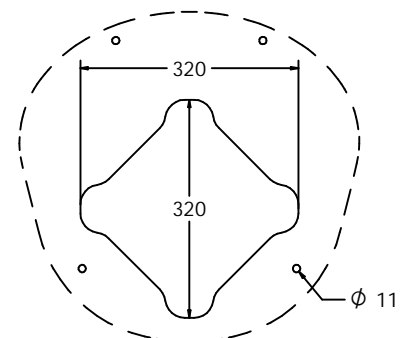


Insert can be easily attached to your own panel

### DIMENSIONS



### Host Panel Fixing Detail



CAD Template Available

### TECHNICAL

Age Range: 2+ Years  
Largest Part: 500 x 480 x 145mm  
Total Weight: 8.75kg  
Surfacing: N/A

IMPORTANT: you must specify the colour option you require at the time of order if it is different from the colour listed/shown above, requirements are subject to availability at the time of order