

# Product Information

## FIOISSIN - Spinning Spiral Optical Illusion Insert

BS EN 1176 - Designed to British & European Standards


### MATERIALS

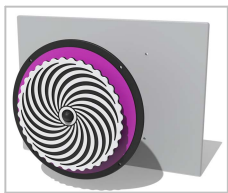
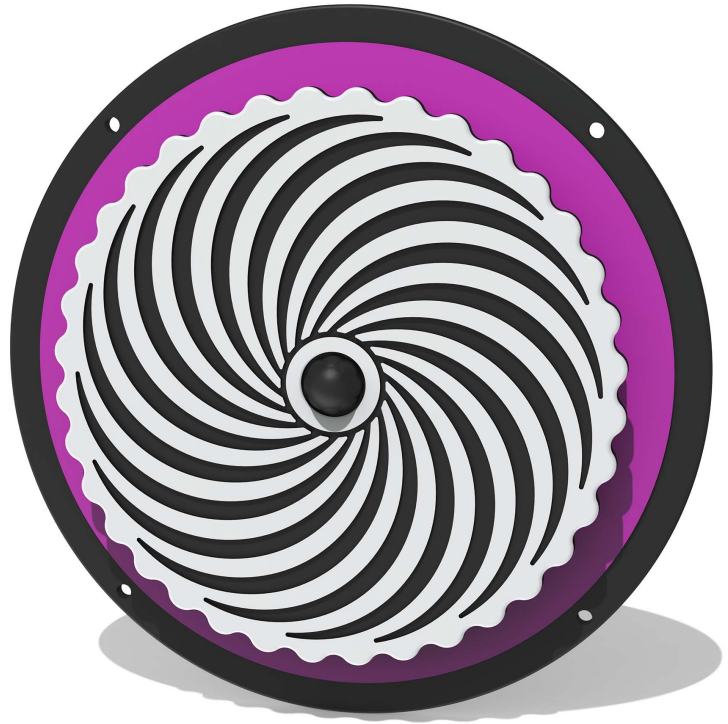
Panel - Two Colour  High Density Polyethylene (HDPE)

### SUPPLY METHOD

Insert - Fully assembled

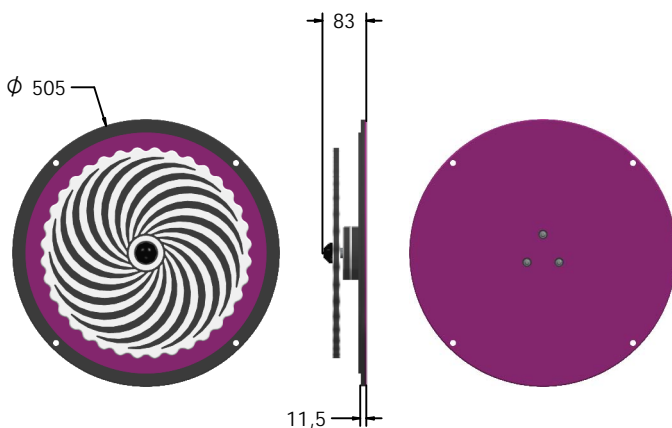
### FEATURES

 **ROTATE** - Create an optical illusion

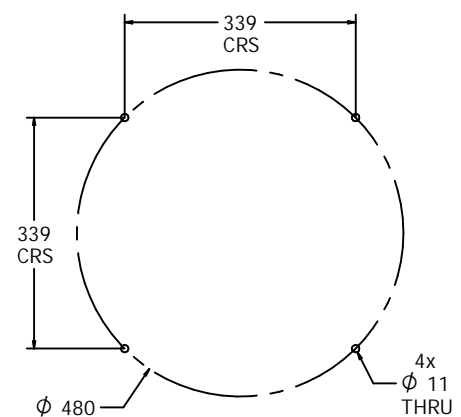


Insert can easily attach to your own panel

### DIMENSIONS



### Host panel fixing detail



CAD available on request

### TECHNICAL

**Age Range:** 2+ Years  
**Largest Part:** FIOISSIN -  $\phi$ 505 x 83mm  
**Total Weight:** FIOISSIN - 4.7kg  
**Surfacing:** N/A

IMPORTANT: you must specify the colour option you require at the time of order if it is different from the colour listed/shown above, requirements are subject to availability at the time of order