

Product Information

FIPTSSAFAINRG - RotoGen Safari Sounds Insert

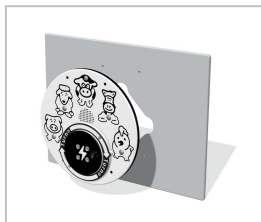
BS EN 1176 - Designed to British & European Standards

MATERIALS

Panel - Two Colour High Density Polyethylene (HDPE)

SUPPLY METHOD

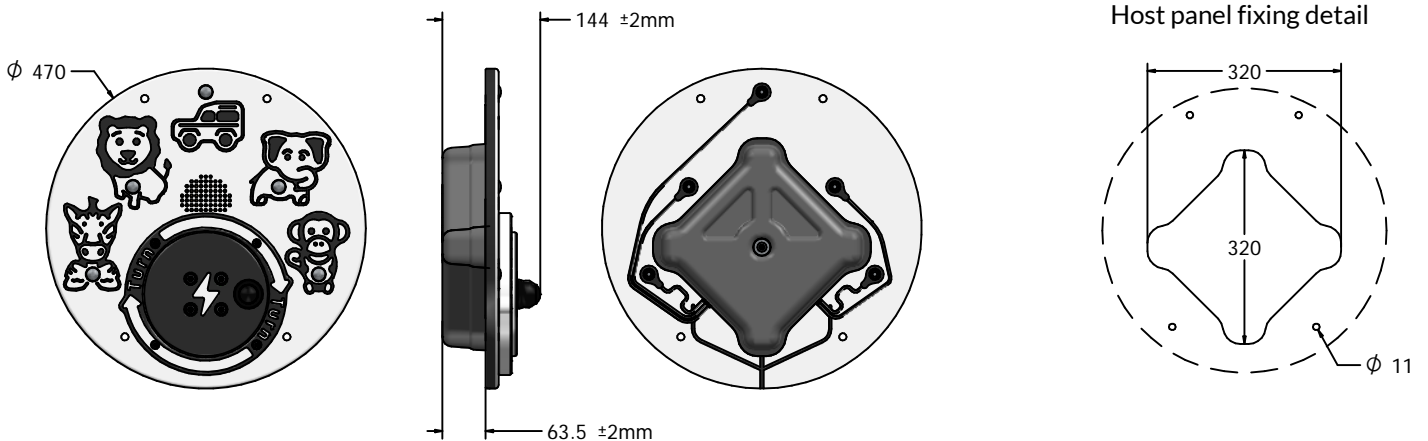
Insert - Fully assembled



Insert can easily attach to your own panel



DIMENSIONS



CAD available on request

TECHNICAL

Age Range: 2+ Years
 Largest Part: $\Phi 470 \times 144\text{mm}$
 Total Weight: 8.3kg
 Surfacing: N/A

IMPORTANT: you must specify the colour option you require at the time of order if it is different from the colour listed/shown above, requirements are subject to availability at the time of order