

Product Information

Street Signs

BS EN 1176 - Designed to British & European Standards

MATERIALS

Panel - High Density Polyethylene (HDPE)

SUPPLY METHOD

Panel - Singular panel



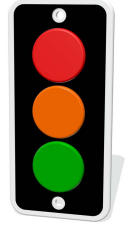
FISSNARRO
Street Sign - Road Narrows



FISSCYCLE
Street Sign - Cycle Route



FISSUNEVE
Street Sign - Uneven Road



FISSTRAFF
Street Sign - Traffic Light



FISSCROSS
Street Sign - Crossroads



FISSTURN
Street Sign - Turn Left /Right



FISSLEVEL
Street Sign - Level Crossing
- No Barrier



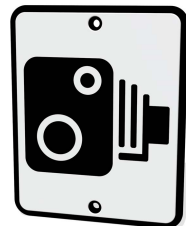
FISSPARK
Street Sign - Parking



FISSGIVE
Street Sign - Give Way



FISSZEBRA
Street Sign - Zebra Crossing Ahead



FISSPEED
Street Sign - Speed Camera Ahead



FISSCYCAH
Street Sign - Cycle Route Ahead

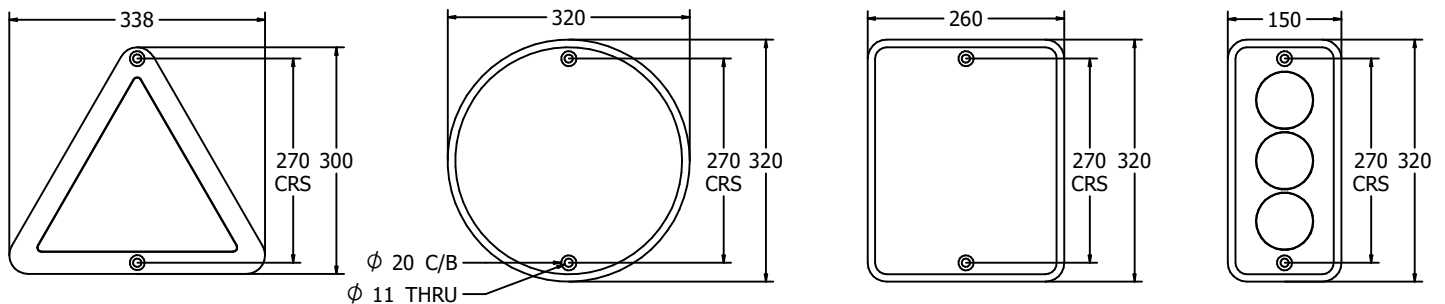


FISSROUND
Street Sign - Mini Roundabout



FISSMWORK
Street Sign - Road Works

DIMENSIONS



TECHNICAL

Age Range: 2+ Years
Largest Part: See dimensions above
Total Weight: 0.8kg Approx.
Surfacing: N/A

IMPORTANT: you must specify the colour option you require at the time of order if it is different from the colour listed/shown above, requirements are subject to availability at the time of order

Product Information

Street Signs - With Posts

BS EN 1176 - Designed to British & European Standards

MATERIALS

Panel - High Density Polyethylene (HDPE)

Recycled Profiles - 100% recycled plastic with a heavy textured finish

SUPPLY METHOD

Panel & Post - Assembled



FISSNARRO-WP
Street Sign - Road Narrows
- With Post



FISSUNEVE-WP
Street Sign - Uneven Road
- With Post



FISSTRAFF-WP
Street Sign - Traffic Light
- With Post



FISSCROSS-WP
Street Sign - Crossroads
- With Post



FISSTURN-WP
Street Sign - Turn Left /Right
- With Post



FISSLEVEL-WP
Street Sign - Level Crossing
- No Barrier - With Post



FISSPARK-WP
Street Sign - Parking
- With Post



FISSGIVE-WP
Street Sign - Give Way
- With Post



FISSCYCLE-WP
Street Sign - Cycle Route
- With Post



FISSZEBRA-WP
Street Sign - Zebra Crossing Ahead
- With Post



FISSSPEED-WP
Street Sign - Speed Camera Ahead
- With Post



FISSCYCAH-WP
Street Sign - Cycle Route Ahead
- With Post

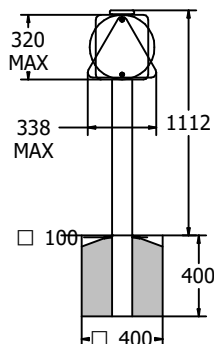


FISSROUND-WP
Street Sign - Mini Roundabout
- With Post



FISSMWORK-WP
Street Sign - Road Works
- With Post

DIMENSIONS



TECHNICAL

Age Range: 2+ Years
Largest Part: Post - 100 x 100 x 1500mm
Heaviest Part: Post - 12.5kg Approx.
Total Weight: 14kg Approx.
Surfacing: N/A

IMPORTANT: you must specify the colour option you require at the time of order if it is different from the colour listed/shown above, requirements are subject to availability at the time of order