

Product Information

FIFTSTUN - Scramble Tunnel

BS EN 1176 - Designed to British & European Standards

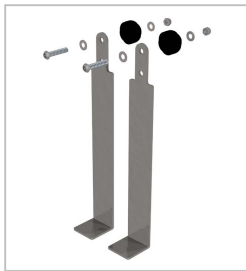
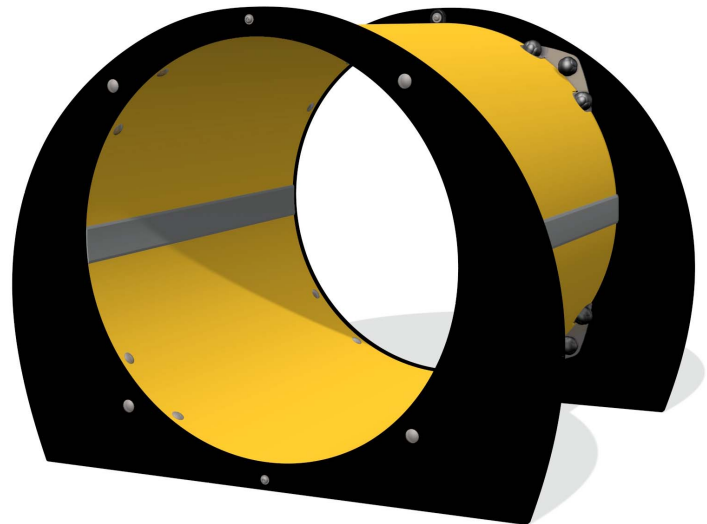
MATERIALS

Panel - High Density Polyethylene (HDPE)

Stainless Steel Brackets - Stainless steel with a dull polish finish

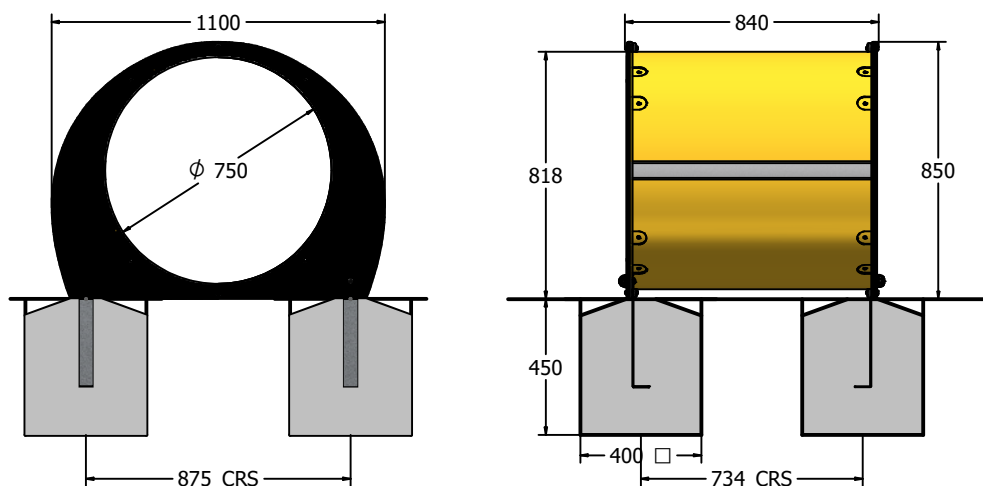
SUPPLY METHOD

Tunnel - Fully assembled



In-Ground Brackets & Fixings Supplied with Tunnel

DIMENSIONS



TECHNICAL

Age Range: 2+ Years
Largest Part: Tunnel Assembly - 850 x 1100 x 840mm
Total Weight: 41kg Approx
Surfacing: 1.5m from the extents of the equipment with a critical fall height in excess of 818mm

IMPORTANT: you must specify the colour option you require at the time of order if it is different from the colour listed/shown above, requirements are subject to availability at the time of order