

Product Information

Moulded Platform Slide Entry Panels

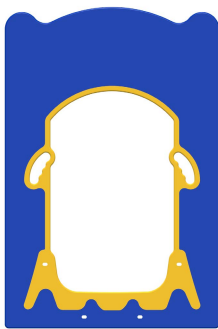
BS EN 1176 - Designed to British & European Standards

MATERIALS

Panel - High Density Polyethylene (HDPE)

SUPPLY METHOD

Entry Panel - Singular Panel



FISLENTY3TC-HDPE*
HDPE Moulded Platform
Slide Entry Panel

*available in two sizes & in single
or two colour - see top table



FISLENTYDRAG2-HDPE
HDPE Moulded Platform
Dragon Slide Entry Panel

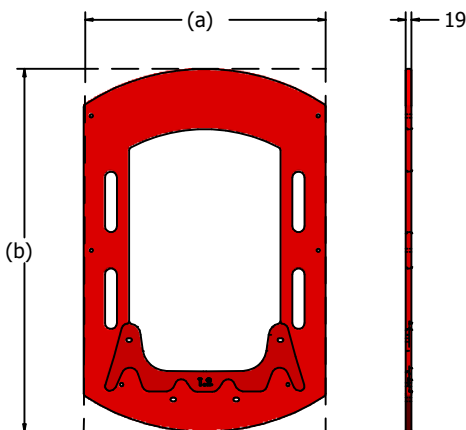


FISLATT-HDPE
HDPE Moulded Platform
Slide Attachment Panel

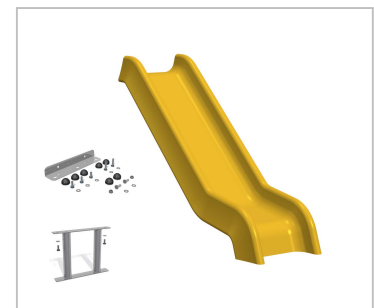


FIMPMSLEP
Multi-Play HDPE Moulded
Platform Slide Entry Panel

DIMENSIONS



| Code | (a) | (b) | Weight |
|--------------------|------|------|--------|
| FIMPMSLEP | 800 | 1200 | 9kg |
| FISLENTY3SC-HDPE | 800 | 1200 | 9kg |
| FISLENTY2SC-HDPE | 1200 | 1200 | 19kg |
| FISLENTY3TC-HDPE | 800 | 1200 | 9kg |
| FISLENTY2TC-HDPE | 1200 | 1200 | 19kg |
| FISLENTYDRAG2-HDPE | 950 | 1200 | 13kg |
| FISLATT-HDPE | 800 | 355 | 4kg |



Available Separately:

- Bracket & fixings for Slide to Entry Panel
- HDPE Moulded Platform Slides
- Slide Foundation anchor & fixings
- Platform

TECHNICAL

Age Range: 2+ Years
Largest Part: Entry Panel (a) x (b)
Total Weight: See Table

IMPORTANT: you must specify the colour option you require at the time of order if it is different from the colour listed/shown above, requirements are subject to availability at the time of order