

Product Information

FITUMTIN - Tumble Turn Insert

BS EN 1176 - Designed to British & European Standards

MATERIALS

Panel - Two Colour High Density Polyethylene (HDPE)

Windows - Clear Polycarbonate

Balls - Stainless steel with polish finish

SUPPLY METHOD

Insert - Fully assembled

FEATURES



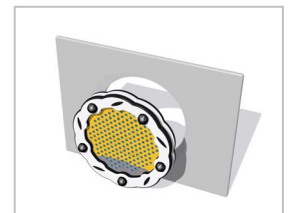
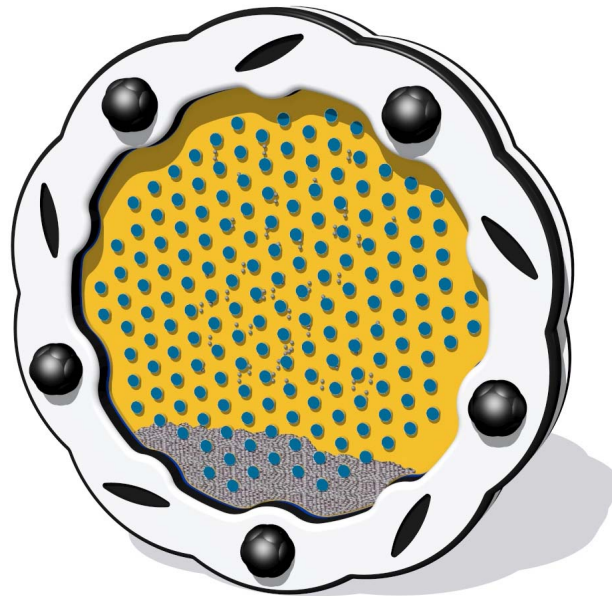
ROTATE - 360° turn insert



VISUAL - Falling metal balls

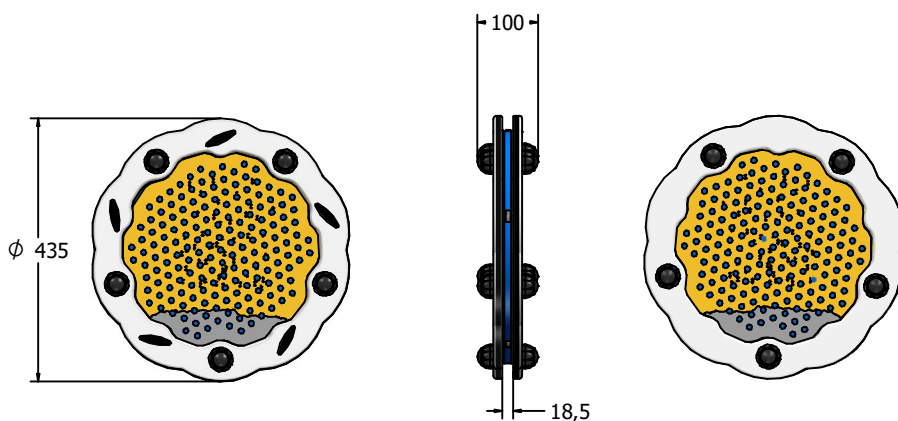


SOUND - Jangling sound from tumbling balls



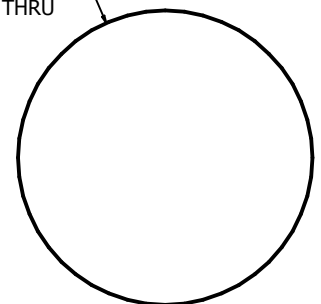
Insert can be easily attached to your own panel

DIMENSIONS



Host Panel Fixing Detail

Ø 389 THRU



Cutout required in 15mm host panel.

TECHNICAL

Age Range: 2+ Years
Largest Part: FITUMTIN - Ø435 x 100mm
Total Weight: FITUMTIN - 4.3kg Approx.
Surfacing: N/A

IMPORTANT: you must specify the colour option you require at the time of order if it is different from the colour listed/shown above, requirements are subject to availability at the time of order