

Product Information

FSSBM05 - Spring Balance Maze

BS EN 1176 - Designed to British & European Standards

MATERIALS

Panel - Two Colour High Density Polyethylene (HDPE)

PolyDek - HDPE with a rubber button grip top surface

Spring & Brackets - Powder coated steel

Ground Anchor - Galvanised steel

SUPPLY METHOD

300mm Spring & Balance Maze Assembly - Fully assembled

Ground Anchor - Loose components with fixings

FEATURES



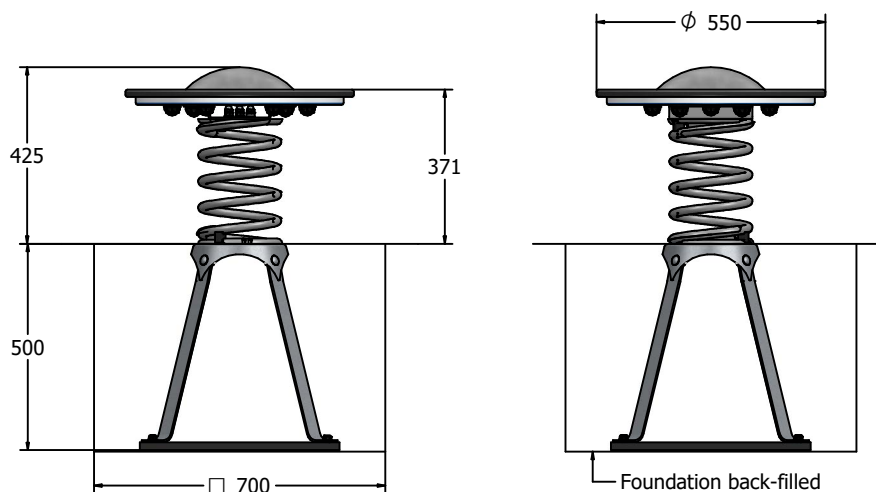
SPRING - Spring balance maze



BALANCE - Balance yourself on the platform



DIMENSIONS



TECHNICAL

Age Range:	2+ Years
Largest Part:	Maze Dome & Spring Assembly - 515 x ϕ 550mm
Heaviest Part:	Maze Dome & Spring Assembly - 20kg Approx.
Total Weight:	30kg Approx.
FFH (Free Fall Height):	427.5mm
Surfacing:	1.5m from extrememes of equipment with a Critical Fall Height in excess of 600mm

IMPORTANT: you must specify the colour option you require at the time of order if it is different from the colour listed/shown above, requirements are subject to availability at the time of order