

# Product Information

## FIECOCQ-WP - Eco-Chime Quartet with Post

BS EN 1176 - Designed to British & European Standards

### MATERIALS

**Post** - 100% recycled plastic with a heavy textured finish

**Chimes** - Multi-coloured anodised aluminium tube chimes

### SUPPLY METHOD

Chimes & Post - Assembled

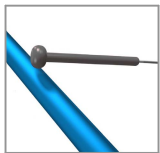
### FEATURES



**INCLUSIVE** - Chimes positioned at easily accessible height



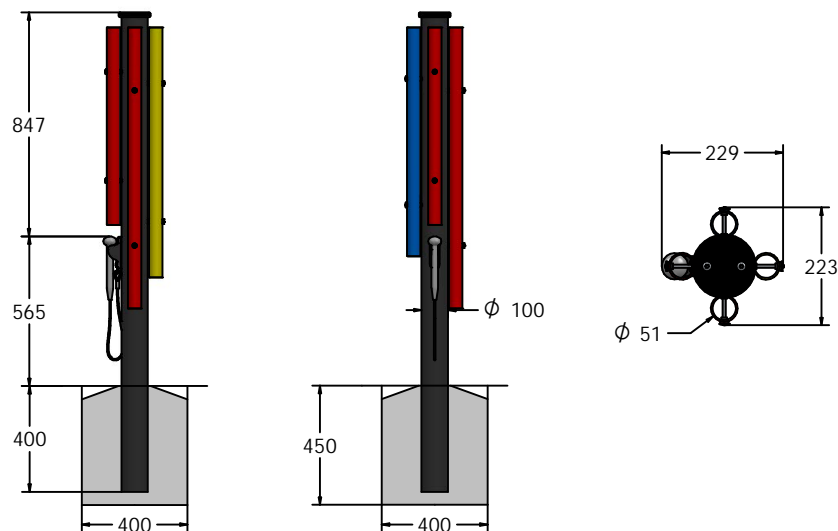
**MUSICAL** - Set of 4 musically tuned chimes



Moulded beater with holder



### DIMENSIONS



### TECHNICAL

**Age Range:** 2+ Years  
**Largest Part:** 223 x 1812 x 230mm  
**Total Weight:** 17kg  
**Surfacing:** N/A

IMPORTANT: you must specify the colour option you require at the time of order if it is different from the colour listed/shown above, requirements are subject to availability at the time of order