


# Product Information

## FIMPMSL-15 - Multi-Play Moulded Slide

BS EN 1176 - Designed to British & European Standards

### MATERIALS

Panel - Two Colour  High Density Polyethylene (HDPE)

Slide - High Density Polyethylene (HDPE)

### SUPPLY METHOD

Entry Panel & Slide - Supplied separately with the fixings needed to attach to platform

(Fixings to attach to posts not included.)

### FEATURES



SLIDE - Moulded Slide



FIMPMSL600-15  
(For 0.6m Platform)



FIMPMSL900-15  
(For 0.9m Platform)



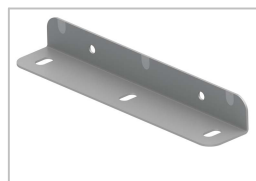
FIMPMSL1500-15  
(For 1.5m Platform)



FIMPMSL1200-15  
(For 1.2m Platform)

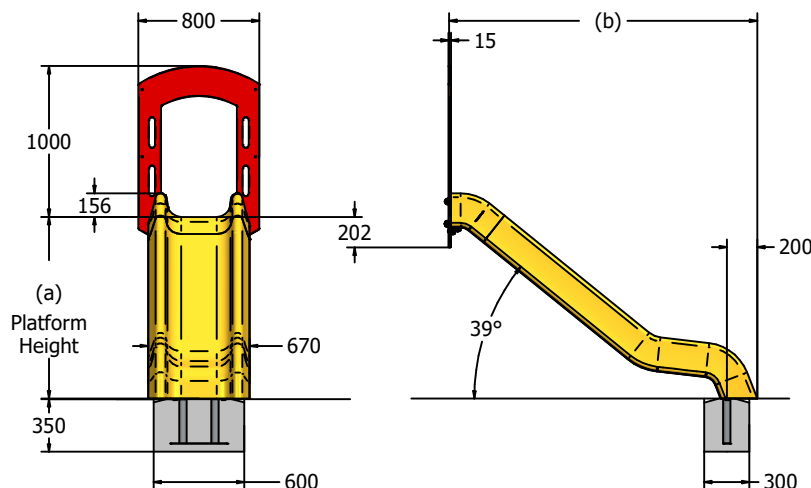


Foundation Anchor Included



Fixing Bracket Included

### DIMENSIONS



(a)	(b)
600mm	1135 (+/- 15mm)
900mm	1715 (+/- 15mm)
1200mm	2045 (+/- 15mm)
1500mm	2235 (+/- 15mm)

### TECHNICAL

Age Range: 4+ Years  
 Largest Part: Slide (a)+156mm x (b) x 670mm  
 Heaviest Part: Slide (0.6m = 10kg), (0.9m = 16kg), (1.2m = 23kg), (1.5m = 32kg)  
 Total Weight: Approx. (0.6m = 17kg), (0.9m = 23kg), (1.2m = 30kg), (1.5m = 39kg)  
 Free Space: 2m diameter x 1.5m high cylinder measured along the centre line of slide's surface  
 Surfacing: 1.5m from the extents with a 2m run out (1m run out for 0.6m Platform Slide)

IMPORTANT: you must specify the colour option you require at the time of order if it is different from the colour listed/shown above, requirements are subject to availability at the time of order