

# Product Information

## FS1005 - Sit-On Seal Spring Rocker

BS EN 1176 - Designed to British & European Standards

### MATERIALS

**Panel** - High Density Polyethylene (HDPE)

**PolyDek** - HDPE with a smooth rubber top surface

**Spring & Brackets** - Powder coated steel

**Ground Anchor** - Galvanised steel

### SUPPLY METHOD

**Seal & Seat Assembly** - Assembled with fixing pack

**400mm Spring Assembly** - Fully assembled

**Ground Anchor** - Loose component with fixings

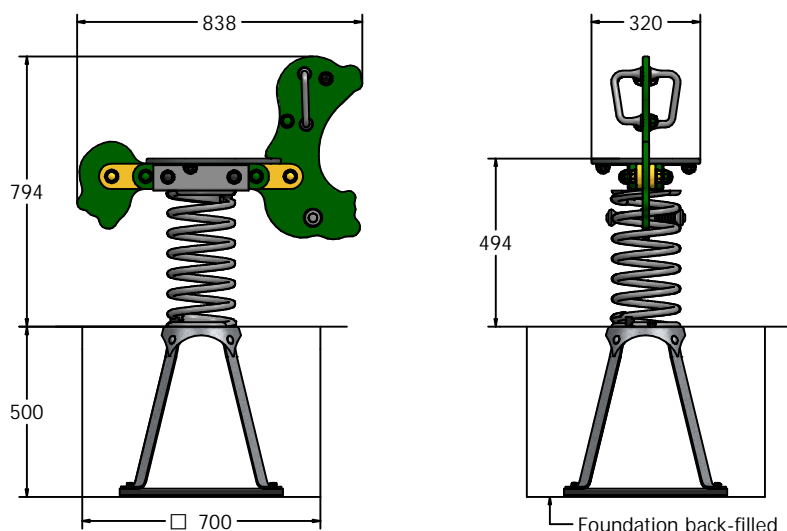
### FEATURES



**SPRING** - Seal spring rocker



### DIMENSIONS



### TECHNICAL

<b>Age Range:</b>	2+ Years
<b>Largest Part:</b>	Seal Assembly - 838 x 530 x 231mm
<b>Heaviest Part:</b>	Spring Assembly - 20kg Approx
<b>Total Weight:</b>	30kg Approx
<b>FFH (Free Fall Height):</b>	494mm
<b>Surfacing:</b>	1m from extrememes of equipment with a Critical Fall Height in excess of 494mm

IMPORTANT: you must specify the colour option you require at the time of order if it is different from the colour listed/shown above, requirements are subject to availability at the time of order